

4.0 technology for energy storage and micro-cogeneration
for your home and your company.



HYinONE HOME

Automated system for your home
energy storage

ALL-IN-ONE system



Smart and easy energy micro-cogeneration energy storage system starting from 3kWh electrical power and 4,5kWh cogenerated warm air.

INCLUDES

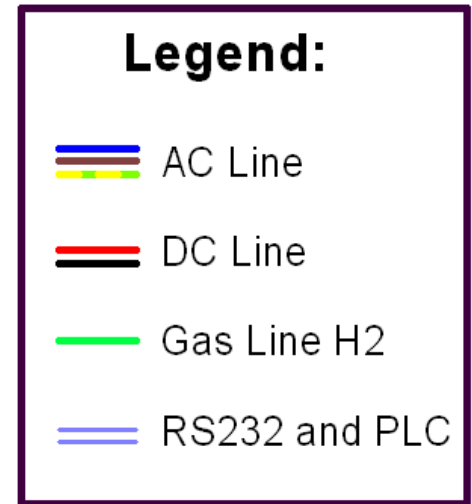
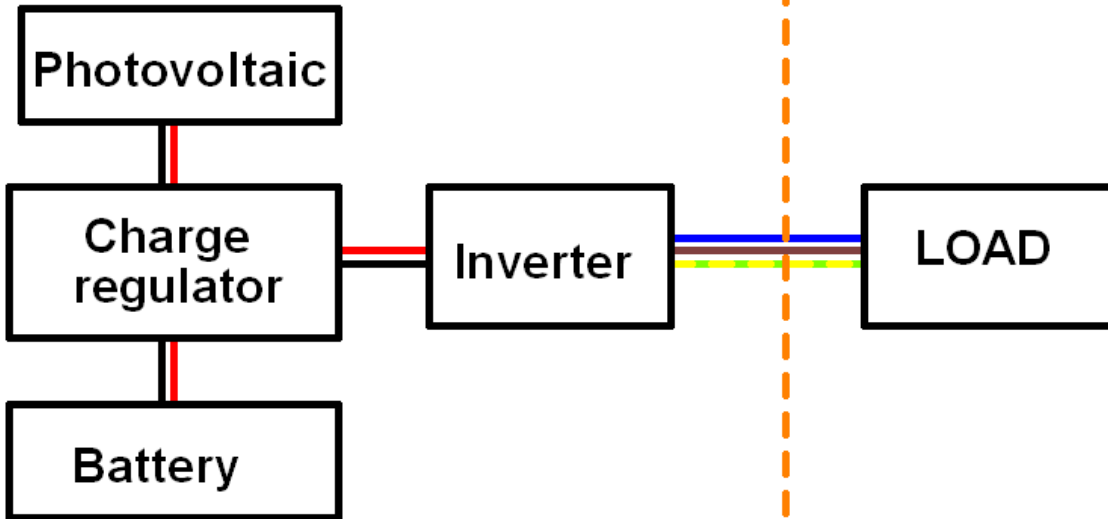
- Electrolyser HyPEM XP HOME
- Fuel-cell generator GreenHub 2 PRO 1000
- Hydrogen compressor Hy-Refill BOX MINI 2
- Metal hydride storage MyH2® 2000 (x2)

How it works

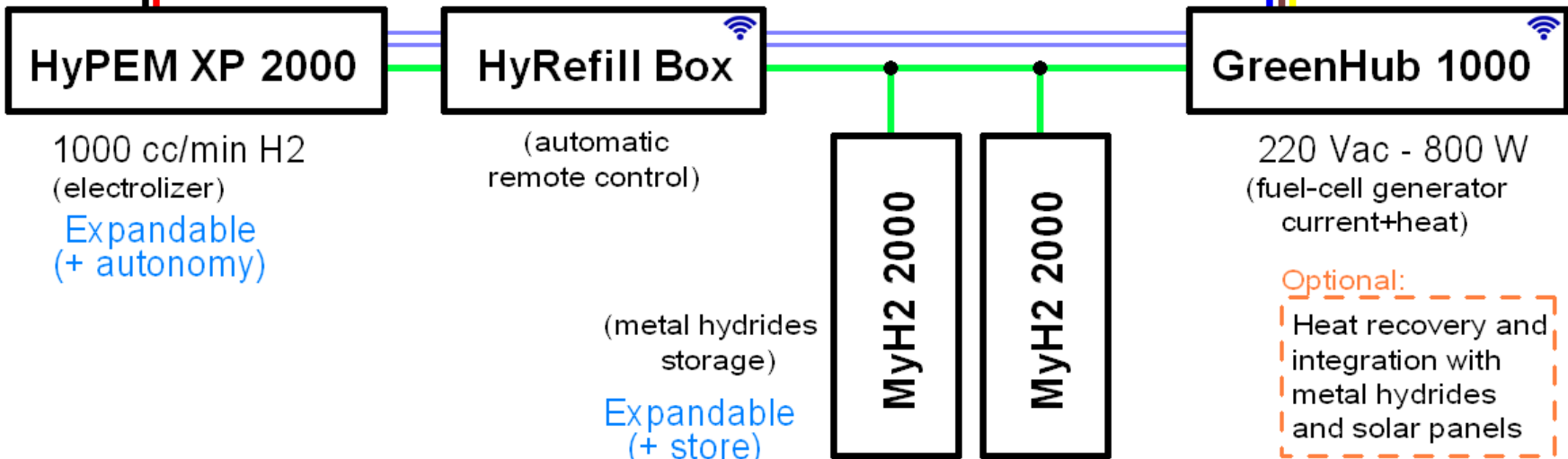


HYinONE HOME scheme - AC version

Optional

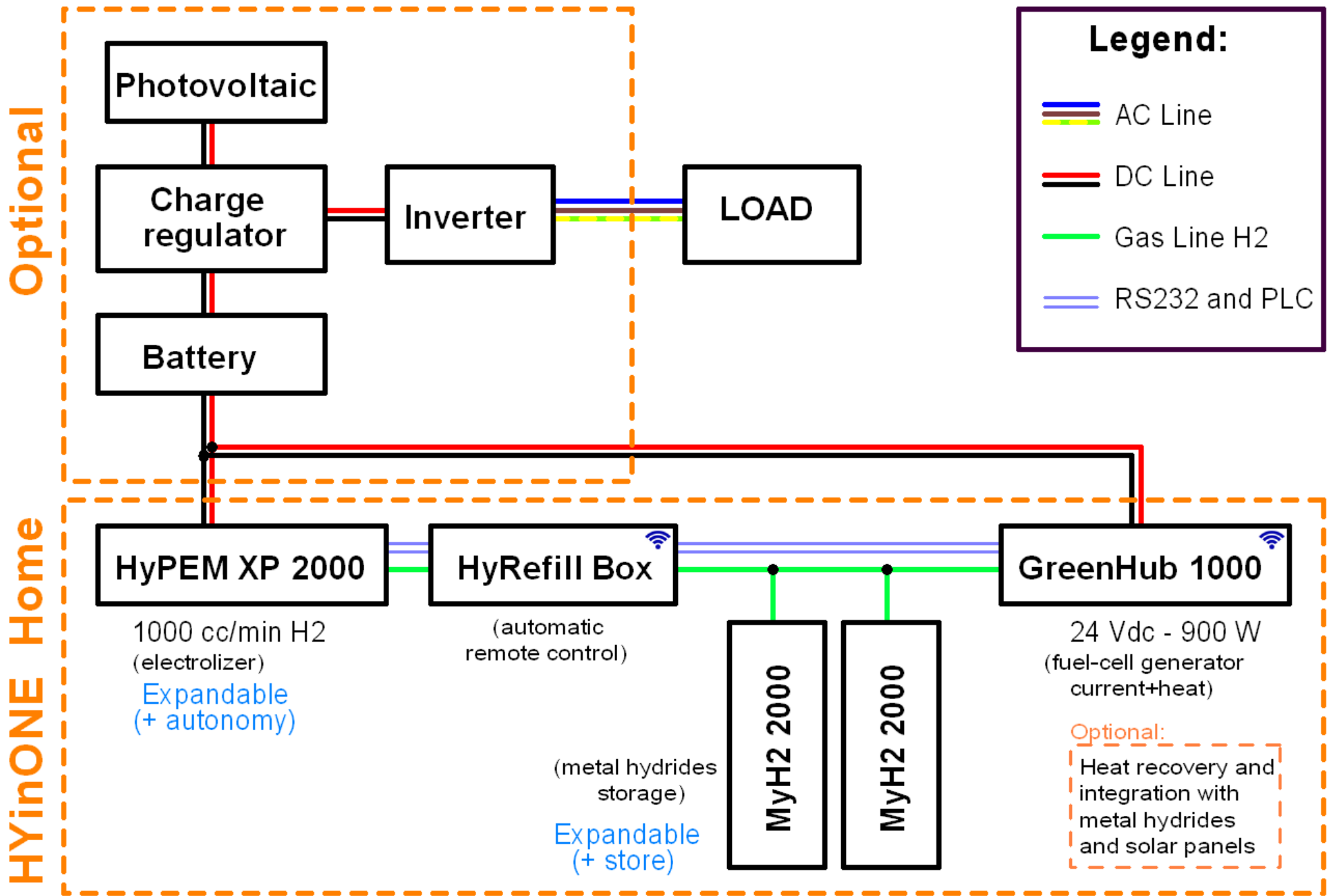


HYinONE Home



Optional:
Heat recovery and integration with metal hydrides and solar panels

HYinONE HOME scheme - DC version





HyPEM XP HOME

H₂ station for domestic use!

Demi water and power to generate your personal home energy reserve for long time!

ZERO MAINTENANCE. The best reliability and user-friendly interface yet in the market!

Hydrogen releasing pressure is adjustable up to 2l/min, 16 bar output and 6.0 grade purity (dew point -70°C) in accordance with ideal parameters to refill every hydrogen metal hydride cartridge and compatible MyH₂® cartridges by H₂planet Hydrogen's purity maximizes the efficiency and the lifetime of the compatible MyH₂ advanced metal hydrides cartridges.

ONE ELECTROLYZER, MULTIPLE USES!

- HYinONE HOME charging station
- Charging station for industrial or domestic energy storage systems
- Cartridge charger for bikes and electric vehicles
- Combination with compression systems for fuel-cell cars
- Charging cartridges to the Re-Coin H2planet remunerated network





GREENHUB 2 PRO 1000

Like home power but with the advantages connected with energetic independence.

Perfect as an UPS, emergency generator, field generation unit, generator for off-grid houses.

Fuel cell 1000W of peak power:

- maximum net rated power: 800W
- hydrogen purity: 99,995% (4.5 grade)
- fuel max. consumption: 14 l/min



HY-REFILL BOX MINI 2

The domotic management system for the charging of the H2Planet metal-hydride cartridges for the long-term highly efficient energy storage system.

Thanks to the rapid and intuitive interface, it takes just few seconds to install, enabling the automatic management of Hy-PEM XP Home.

The hydrogen long-term energy storage has never been so easy, safe and reliable.



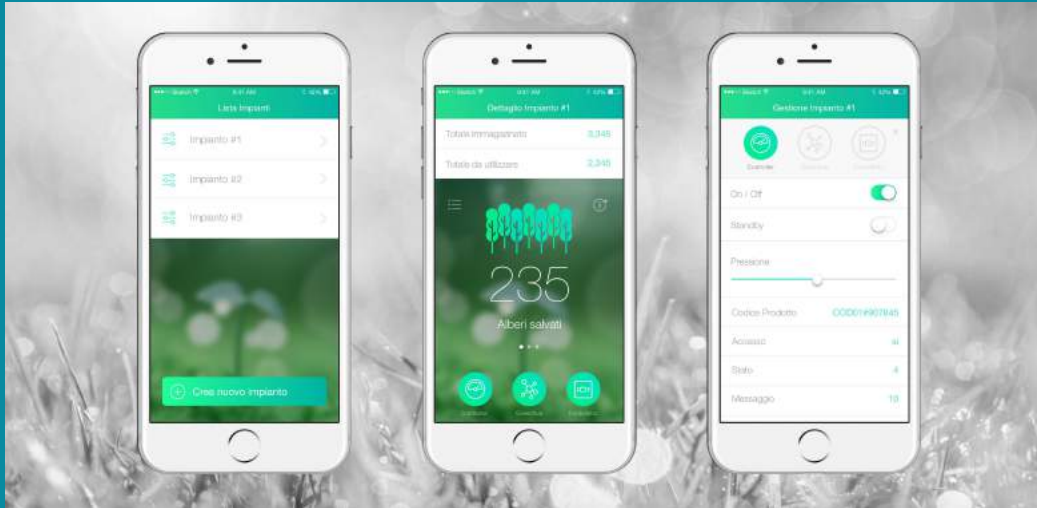


MYH2® 2000

Storage hydrogen has never been so easy and safe thanks to the ultra-compact metal hydrides gas cylinders designed by H2planet.

Hydrogen is stored at low pressure between 5-16 bar inside of refillable gas cylinders, respondent to the most advanced safe logics in terms of technology and materials. Thanks to the hydrogen absorption through metal hydride calibrated mixture, the gas is stored in a safe and certified way. Storage capability: 2000 liters each (2x n the bundle).

New APP



Thanks to the english + italian app on your smartphone you can:

- manage switching on and off
- monitor the status of the system
- receive notifications and warnings
- monitor and manage stored energy
- quantify the environmental benefit
- monetize your green hydrogen storage



GreenHub 2 PRO

GreenHub 2 PRO - Control your fuel-cell micro-cogenerator via smartphone / tablet / computer

Hy-Refill BOX Mini 2 - Control your electrolysis energy storage via smartphone / tablet / computer

H-cooking - Control your hydrogen catalytic cooking stove cooking potential via smartphone / tablet / computer (within 2019)



H-Cooking

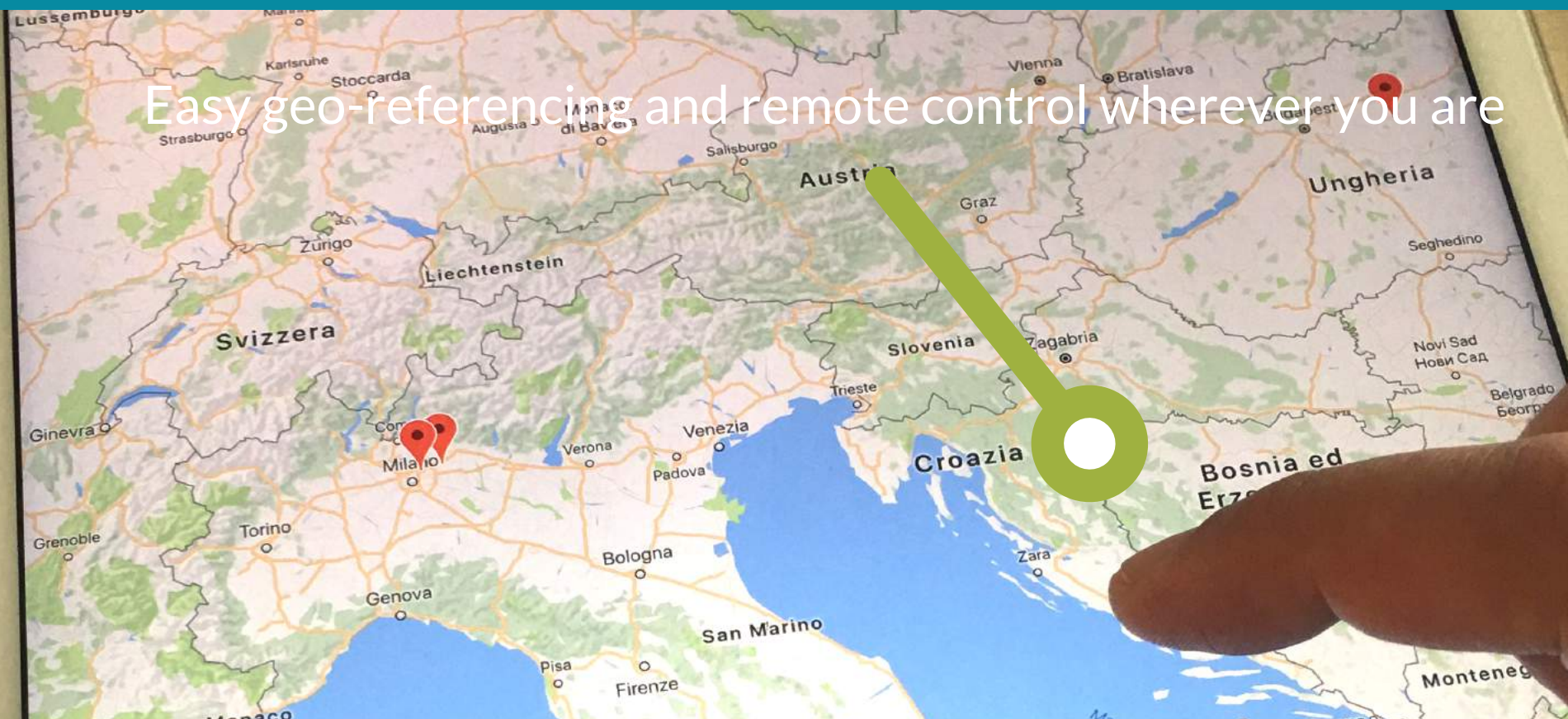


HyRefill Box MINI 2



Controlled by APP

Easy geo-referencing and remote control wherever you are



10 minutes plug & play

USER FRIENDLY AND SAFE INSTALLATION



